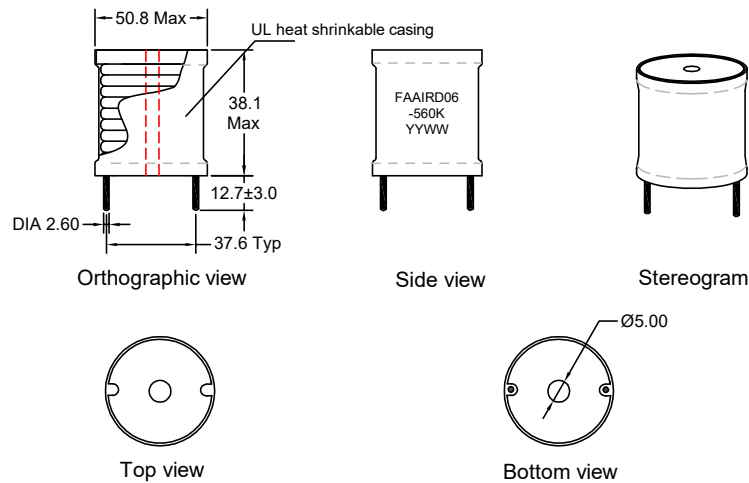


P/N: FAAIRD06-560K



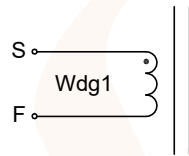
Outline Dimensions(Unit:mm)



REMARK:

1. Products need thermal shrinkable sleeve.

Electrical Schematic



Electrical Characteristics(@25°C)

| Inductance<br>1KHz,0.1V<br>S-F | DC Resistor | Rated Current |
|--------------------------------|-------------|---------------|
| 56.0uH±10%                     | 0.009Ω Max  | 35.0A         |

- \*\*\*Operating Temperature: -40°C~+125°C.  
(Temperature rise included)
- \*\*\*Storage Temperature : -40°C~+125°C.
- \*\*\*Storage Humidity:RH10%~70%.

Material list

| Part Name   | SPEC             | Material Type | Supplier                                      | UL Number |
|-------------|------------------|---------------|---|-----------|
| Core        | DRH 45°35 (B=28) | NiZn          | Huzhou Shuanglin Shitong magnetic factory     | N/A       |
| Copper Wire | 1PEW-H           | 180°C         | Elektrisola Hangzhou Co Ltd                   | E258243   |
| Tube        | RSFR-H/600V      | 125°C         | ShenZhen Woer Heat-shrinkable Material Co Ltd | E203950   |

Recommended Soldering Temperature Graph.



|                  | Standard Profile    | Standard Profile    |
|------------------|---------------------|---------------------|
| Pre-heating      | 150~180°C,90s±30s   |                     |
| Heating          | above 220°C,30s-60s | above 240°C,30s Max |
| Peak temperature | 245°C±3°C           | 260°C,10s           |
| Cycle of reflow  | 2 times             |                     |

|     |             |      |      |   |   |   |   |  |
|-----|-------------|------|------|---|---|---|---|--|
| REV | DESCRIPTION | APPD | DATE | Tianchang Fuan Electronic Co Ltd<br>www.fuantronics.net<br>TEL: +86-550-7814888<br>FAX: +86-550-7831133 | Tolerances unless otherwise specified:<br>(X)±0.50 (XX)±0.25<br>Unit of measurement: mm | Make: Qiumei.Liu<br>Checked: Beson. zhan<br>Approved: Anson. zhan | <b>DRAWING TITLE</b><br>AIRD06 RADIAL<br>HIGH CURRENT POWR CHOKE<br>Material Number: A33RD06XS130 | Customer Name:<br>Document/Rev: 00<br>Specification Sheet: 1 of 1<br>Date of Recognition: Mar./16/2020 |
|     |             |      |      |   |   |   |   |  |
|     |             |      |      |   |   |   |   |  |